



# MOD - 7S5B 1"

Current loop Indicator - 4.5 digits  
Scaleable digital - 4-20mA

The MOD-7S5B is an advanced, low cost current loop indicator, which provides measurement in applications where a scalable current input is needed. Any signal can be scaled to display directly in engineering units with the wide ranging available. Scaling and calibrating MOD-7S5B is very easy. For example: all inputs 4-20mA can be scaled to display 0-15000 kg/

### General specifications

**DISPLAY:** 4½ digit LED 1" (25.4 mm) high brightness.  
**POWER:** wide range power supply options (refer to ordering information)  
 Decimal Point selection: from front panel  
 Accuracy: ±0.1% of reading ±1 digit at 25°C  
 Stability: ±50ppm / °C  
 Conform to standards: IEC 61010-1 Safety requirements  
 For measurement, control, and laboratory use, part 1.

**CONNECTION:**  
 silver alloy pluggable terminal Shrouded to prevent human contact.  
 Terminal: acc IEC 60947-7-1, IEC 60998-1  
 Terminal Capacity: 1x4mm without multicore cable end  
 1x0.5 to 2.5mm with/without multicore cable end.

**MECHANICAL**  
 Self-extinguishing plastic housing, IP40 acc IEC 529  
 Mounted: front panel  
 IP rating: IP20 acc IEC 529  
 Terminal block: 4mm² 12AWG 250VAC  
 Box measures: 144x72 mm

**AMBIEN CONDITIONS**  
 Operation temperature -20°C ... +55°C  
 Storage temperature -25°C ... +70°C  
 Transport temperature -25°C ... +70°C  
 Relative humidity 15% ... 85% acc IEC 68-2-6  
 Vibration resistance 10 to 55 Hz (acc to IEC 68-2-6)  
 Wight: 348 gr

### Operating instructions

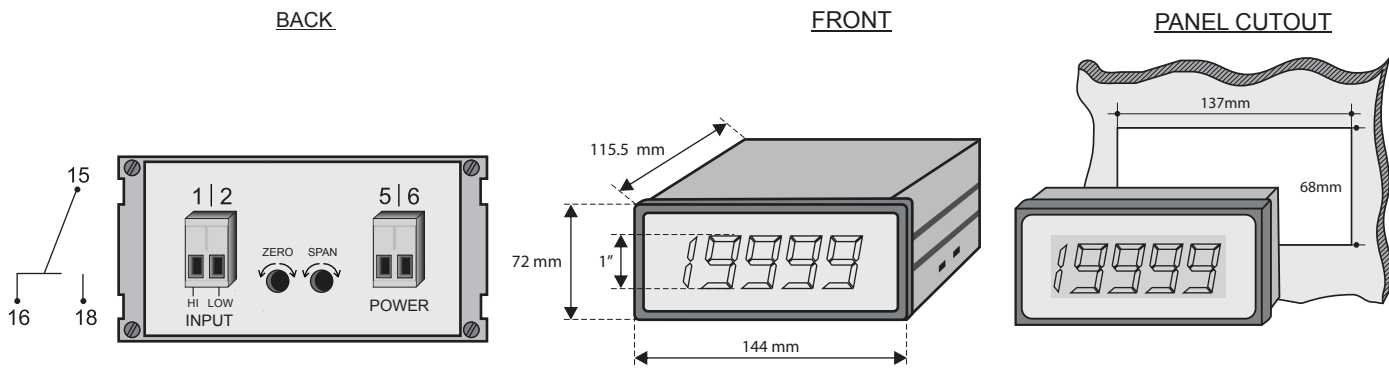
#### Reading adjustment

- On back panel you will find two adjustment screws, Zero & Span
- Zero determine 4mA reading.
- Span determine 20mA reading.
- To INCREASE reading turn adjustment screws to right
- To DECREASE reading turn adjustment screw to left

### Technical Data

Range: 4-20mA adjustable  
 ±19999 (4½) count full scale  
 Display type : 4½ digit, 1" (25.4mm)  
 Low power requirement  
 Wide range power supply option ( Refer to table below).  
 Input voltage protection  
 Decimal point selected  
 Accuracies are specified at 25°C  
 Power consumption: 2.3 VA  
 Stability w/Temp ±50ppm/°C  
 Span up to 20000 counts from 4 to 20mA  
 Measuring Rate: 3 s/min  
 Change of settings also during operation  
 Exchangeable unit symbols  
 Adjustment from rear panel  
 User define Limit values

### Dimensions



### Ordering information

MOD 7S5B 1" - V

230VAC	60VDC
120VAC	48VDC
110VAC	24VDC
24VAC	12VDC

MOD - 7S5B 1"

