

# HCKR

Heated element monitor.

Temperature of lubrication oil in generator pear box or air-condition units have to be monitored continuously, HCKR monitors the immersed heating element and indicates functions, HCKR relay switches on, relay output disconnected when the heating element fails to work. HCKR unit resets when the supply voltage has removed.



## General specifications

- Main Standards: IEC 61812-1, IEC 61000-6-2, EN 50178
- Additional standards: IEC 61000-4-2, IEC 61000-4-3, IEC 61000-4-4, IEC 61000-4-5
- Protection class open air: IP20
- Self-extinguishing plastic housing UL V0 acc IEC 529
- Mounting position: on DIN-rail TS 35 according to EN 50022
- Mounting position: vertically
- Monitoring current: 80mA - 1.5A
- Load: ≤200W
- Terminal : acc IEC 60947-7-1, IEC 60998-1
- Terminal Capacity: 1x4mm<sup>2</sup> without multicore cable end  
1x0.5 to 2.5mm<sup>2</sup> with/without multicore cable end

## Incoming supply circuit

- Supply voltage: refer to table below
- Supply tolerance: ± 10%
- Incoming Supply terminals: A1 (+) – A2 refer to table below.
- Rated power consumption: 1 VA
- Rated frequency for as voltage: 48 to 63 Hz
- Duty cycle: 100%
- Reset time: 30 ms
- Drop off voltage: ≥ 20% of nominal voltage.

## Output circuit

- Relay: 1 C/O
- Rated voltage: 250 Vac
- Switching capacity ac: 1000 VA (8A / 250V) COS φ = 1
- Switching capacity dc: 6 A 30 Vdc
- Max switching capacity ac: 10 A
- Mechanical life: 1 x 10<sup>6</sup> operations
- Electrical life at 1000 VA COS φ =1: 200.000 operations

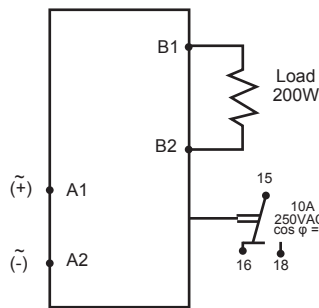
## Environmental conditions

- Permissible ambient temperature: -25°C....+55°C
- Storage temperature: -25°C....+70°C
- Transport temperature: -25°C....+70°C
- Relative humidity (acc. IEC 721-3-3 CLASS 3K3): 15% to 85%
- Vibration resistance (acc. IEC 68-2-6): 10 TO 55 H

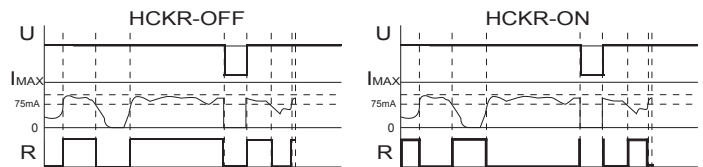
## Dimensions & weight

- Width: 24 mm
- Height: 72 mm
- Depth (excl. DIN-profile): 65 mm
- Weight: 73 gram

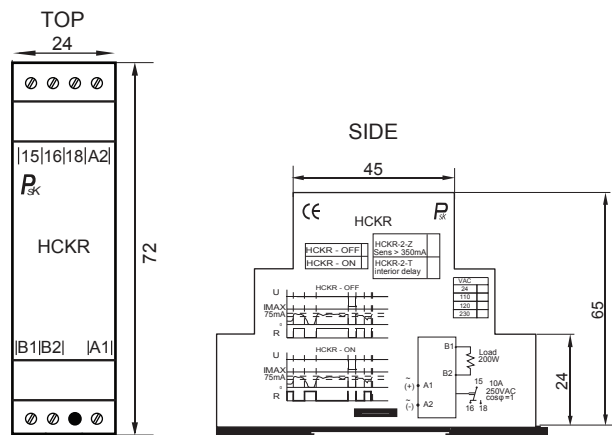
## Connections



## Function



## Dimensions



## Ordering information

HCKR	—	V	—	HCKR - OFF	A
				HCKR - ON	B

VAC	
24	
110	
120	
230	