



MOD - 7S7A

Digital AC volt meter - 3½ digits

General specifications

DISPLAY: 3½ digit LED 0.56" (14.2 mm) high brightness.
POWER: wide range power supply options (refer to ordering information)
 Decimal Point selection: from front panel
 Accuracy: ±0.1% of reading ±1 digit at 25°C
 Stability: ±50ppm / °C
 Input voltage protection: 650 VDC
 Conform to standards: IEC 61010-1 Safety requirements
 For measurement, control, and laboratory use, part 1.

CONNECTION:

silver alloy pluggable terminal Shrouded to prevent human contact.
 Terminal: acc IEC 60947-7-1, IEC 60998-1
 Terminal Capacity: 1x4mm without multicore cable end
 1x0.5 to 2.5mm with/without multicore cable end.

MECHANICAL

Self-extinguishing plastic housing, IP40 acc IEC 529
 Mounted: front panel
 IP rating: IP20 acc IEC 529
 Terminal block: 4mm² 12AWG 250VAC
 Box measures: 96x48 mm

AMBIEN CONDITIONS

Operation temperature -20°C ... +55°C
 Storage temperature -25°C ... +70°C
 Transport temperature -25°C ... +70°C
 Relative humidity 15% ... 85% acc IEC 68-2-6
 Vibration resistance 10 to 55 Hz (acc to IEC 68-2-6)
 Weight: 348 gr

Technical Data

±1999 (3½) count four scale
 Low power requirement
 Wide range power supply option
 Input voltage protection
 Decimal point selected
 Accuracies are specified at 25°C
 Power consumption: 2.3 VA
 Stability w/Temp ±50ppm/°C
 Span up to 20000 counts
 Measuring Rate: 3 s/min

Ordering information

MOD 7S7A - R - V

R1	230Vac
R2	110Vac
R3	60Vdc
	48Vdc
	24Vdc
	24Vac
	12Vdc

Power Connection

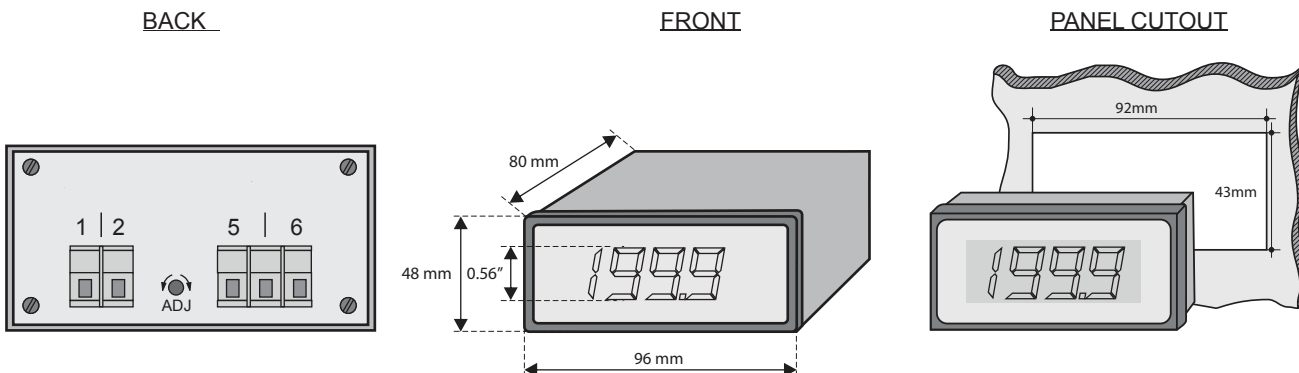
SUPPLY	
5	6
(-)	(+)

SUPPLY	
230Vac	
110Vac	
60Vdc	
48Vdc	
24Vdc	
24Vac	
12Vdc	

Range

Order	Measuring	Resolution	Input impedance	Basic accuracy
Code	voltage range			
MOD-7S6DC-R1	±19.99VAC	10mVAC	2MOhm	±0.25% of reading
MOD-7S6DC-R2	±199.9VAC	10mVAC	2MOhm	±2 digit at 25°C 50hz
MOD-7S6DC-R3	±600VAC	1VAC	2MOhm	

Dimensions



MOD - 7S7A

